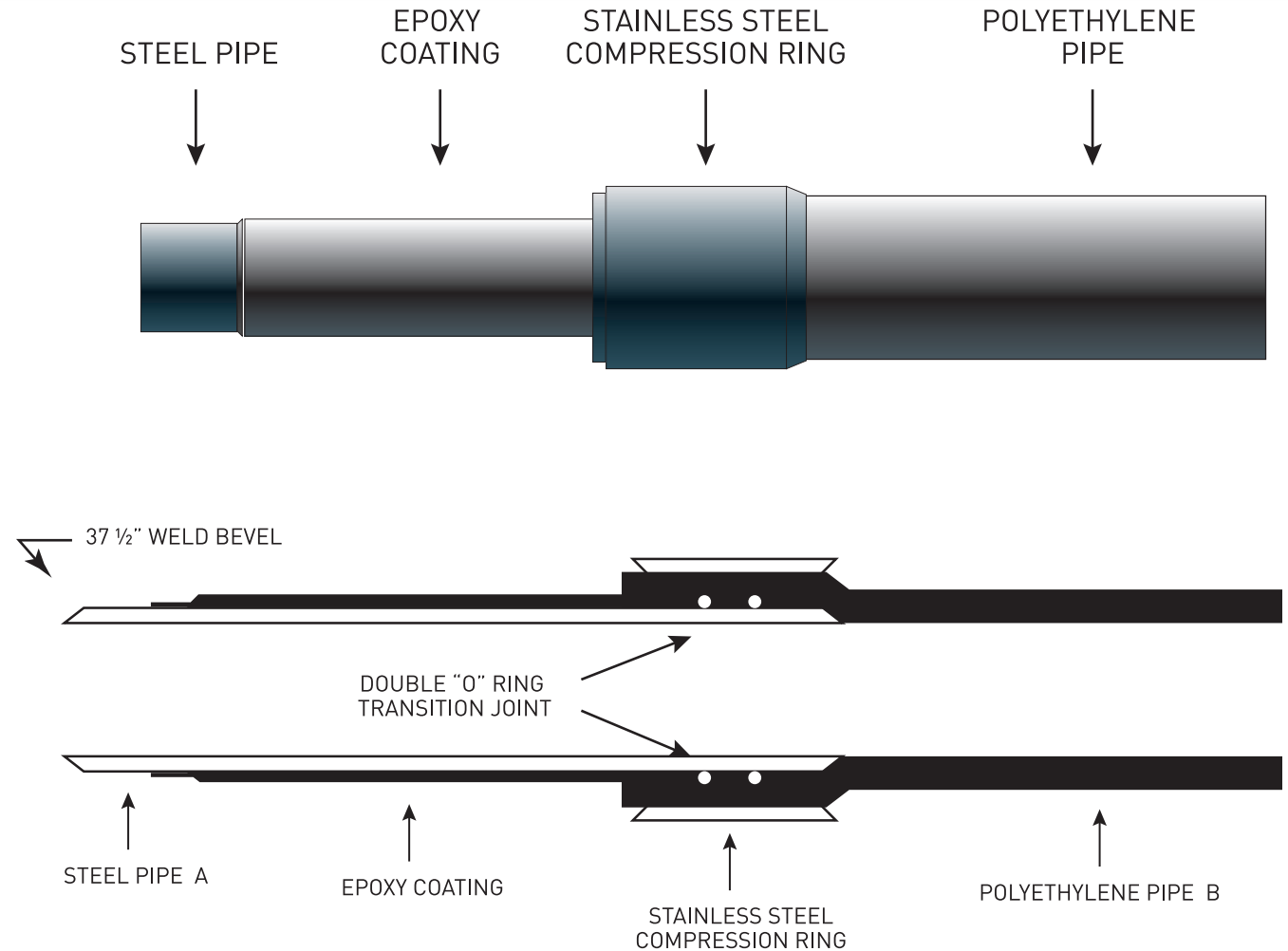


TRANSITION FITTINGS

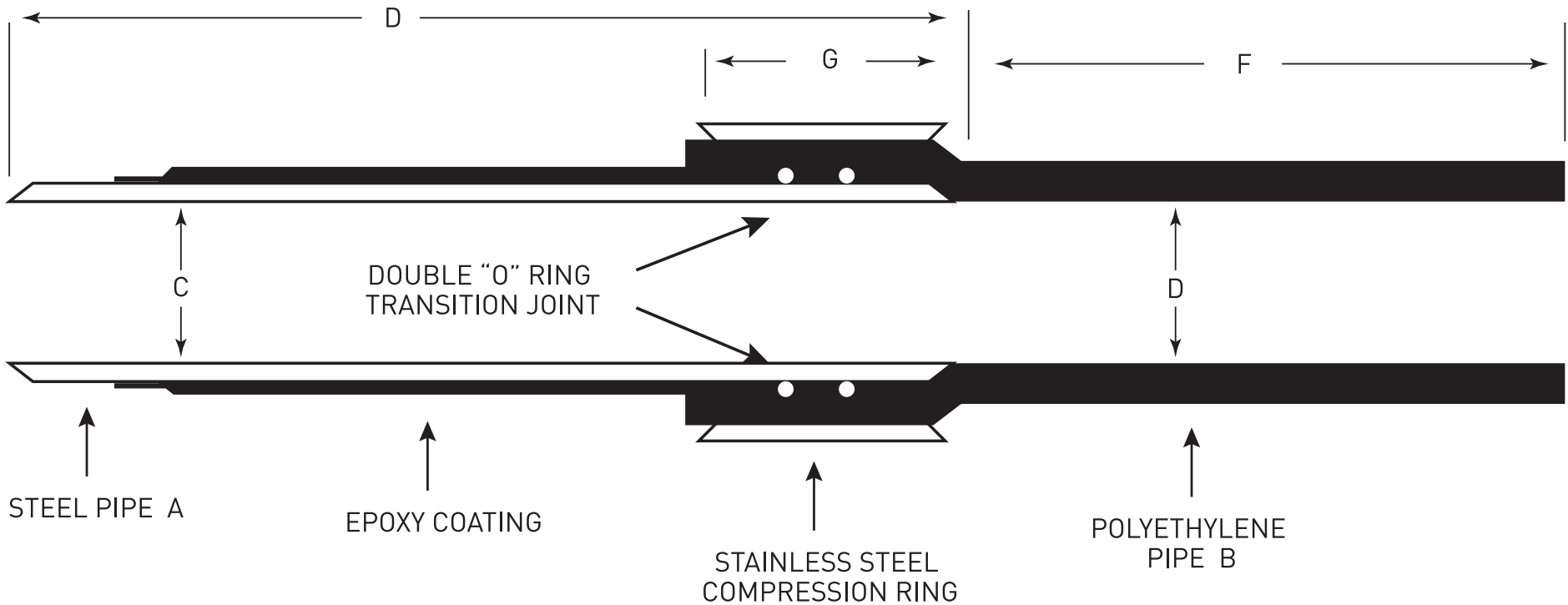
Inside Diameter Controlled Transition Fitting

- for all P.E. to Steel Joints
- available ½" CTS – 12" IPS, all SDR's
- Canadian made - Canadian owned



Inside Diameter Controlled Transition Fitting

TRANSITION FITTINGS



Inside Diameter Controlled Transition Fitting

TRANSITION FITTINGS

INSIDE DIAMETER CONTROLLED TRANSITION FITTING							A	B	C	D	E	F	G
PART NUMBER	HDPE	FITTING NOMINAL IPS SIZE	SDR	P.E. OD	STEEL O.D.	STEEL SCH	STEEL WALL	PE WALL	STEEL PE ID	PE ID	STEEL LENGTH	PE LENGTH	RING LENGTH
TRFSS2020CC107	4710	2" x 2"	7.3	2.375	2.375	80	0.218	0.325	1.939	1.725	15.600	12.000	3.700
TRFSS2020CC309	4710	2" x 2"	9	2.375	2.375	40	0.154	0.264	2.067	1.847	15.600	12.000	3.700
TRFSS2020CC109	4710	2" x 2"	9	2.375	2.375	80	0.218	0.264	1.939	1.847	15.600	12.000	3.700
TRFSS2020CC111	4710	2" x 2"	11	2.375	2.375	80	0.191	0.216	2.067	1.943	15.600	12.000	3.700
TRFSS2020CC311	4710	2" x 2"	11	2.375	2.375	40	0.154	0.216	1.939	1.943	15.600	12.000	3.700
TRFSS3030CC309	4710	3" x 3"	9	3.500	3.500	40	0.216	0.389	3.068	2.722	16.300	12.000	4.300
TRFSS3030CC109	4710	3" x 3"	9	3.500	3.500	80	0.300	0.389	2.900	2.722	16.300	12.000	4.300
TRFSS3030CC111	4710	3" x 3"	11	3.500	3.500	80	0.300	0.318	2.900	2.864	16.300	12.000	4.300
TRFSS3040CC109	4710	4" x 4"	9	4.500	3.500	40	0.216	0.500	3.068	3.500	16.700	12.000	4.700
TRFSS3040CC309	4710	4" x 4"	9	4.500	4.500	80	0.300	0.500	2.900	3.500	16.700	12.000	4.700
TRFSS4040CC309	4710	4" x 4"	9	4.500	4.500	40	0.237	0.500	4.026	3.500	16.700	12.000	4.700
TRFSS6060CC311	4710	6" x 6"	11	6.625	6.625	40	0.280	0.602	5.187	6.065	17.500	12.000	5.500
TRFSS8080CC311	4710	8" x 8"	11	8.625	6.625	40	0.322	0.784	7.981	7.057	24.000	18.000	5.500
TRFSS8080CC111	4710	8" x 8"	11	8.625	6.625	80	0.906	0.784	6.813	7.057	24.000	18.000	5.500
TRFSS0101CC111	4710	10" x 10"	11	10.750	6.625	40	0.594	0.977	9.562	8.796	24.000	18.000	8.000

Note: All measurements are in inches and are subject to change.